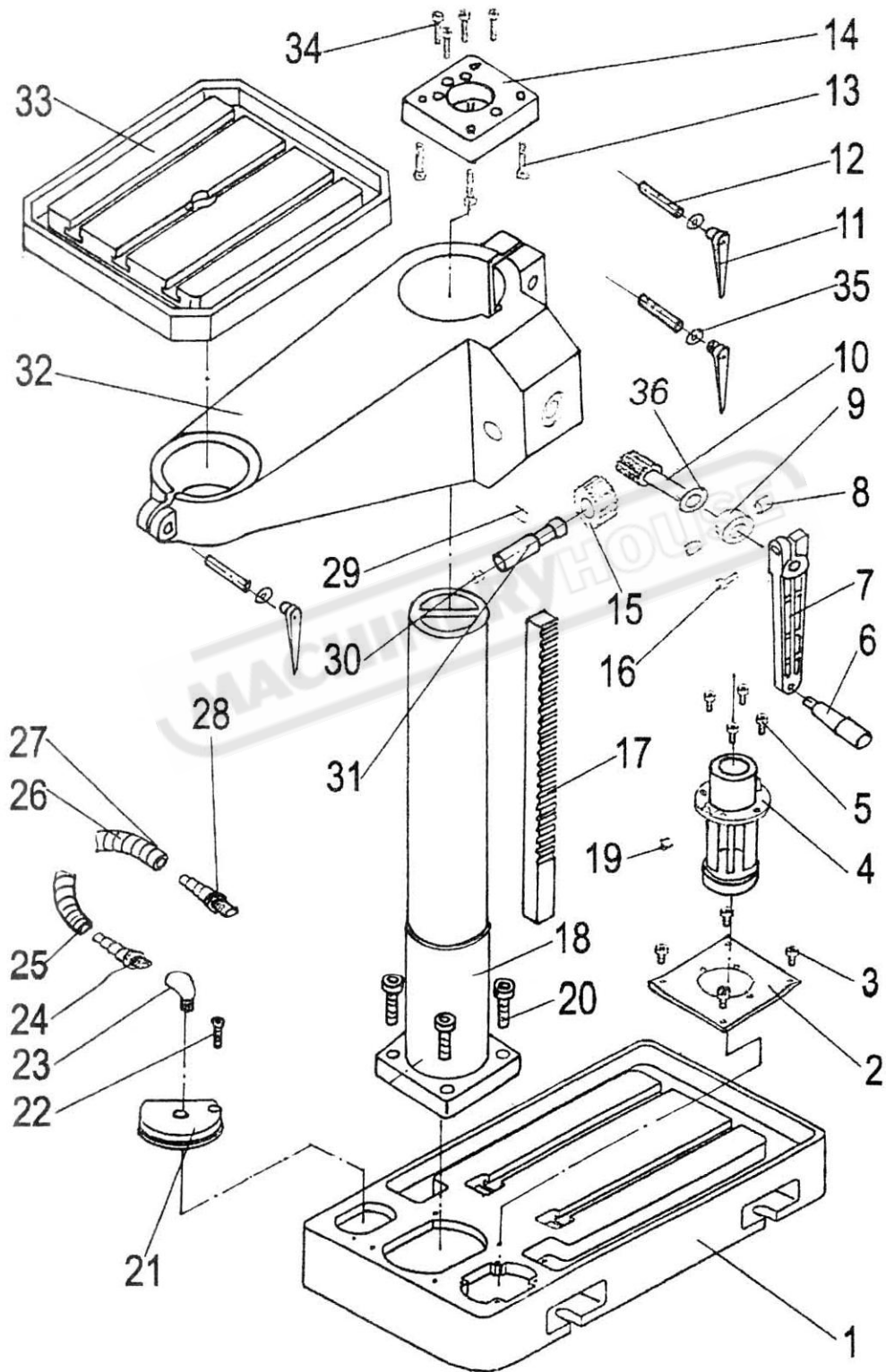


### I . Table Support and Coolant

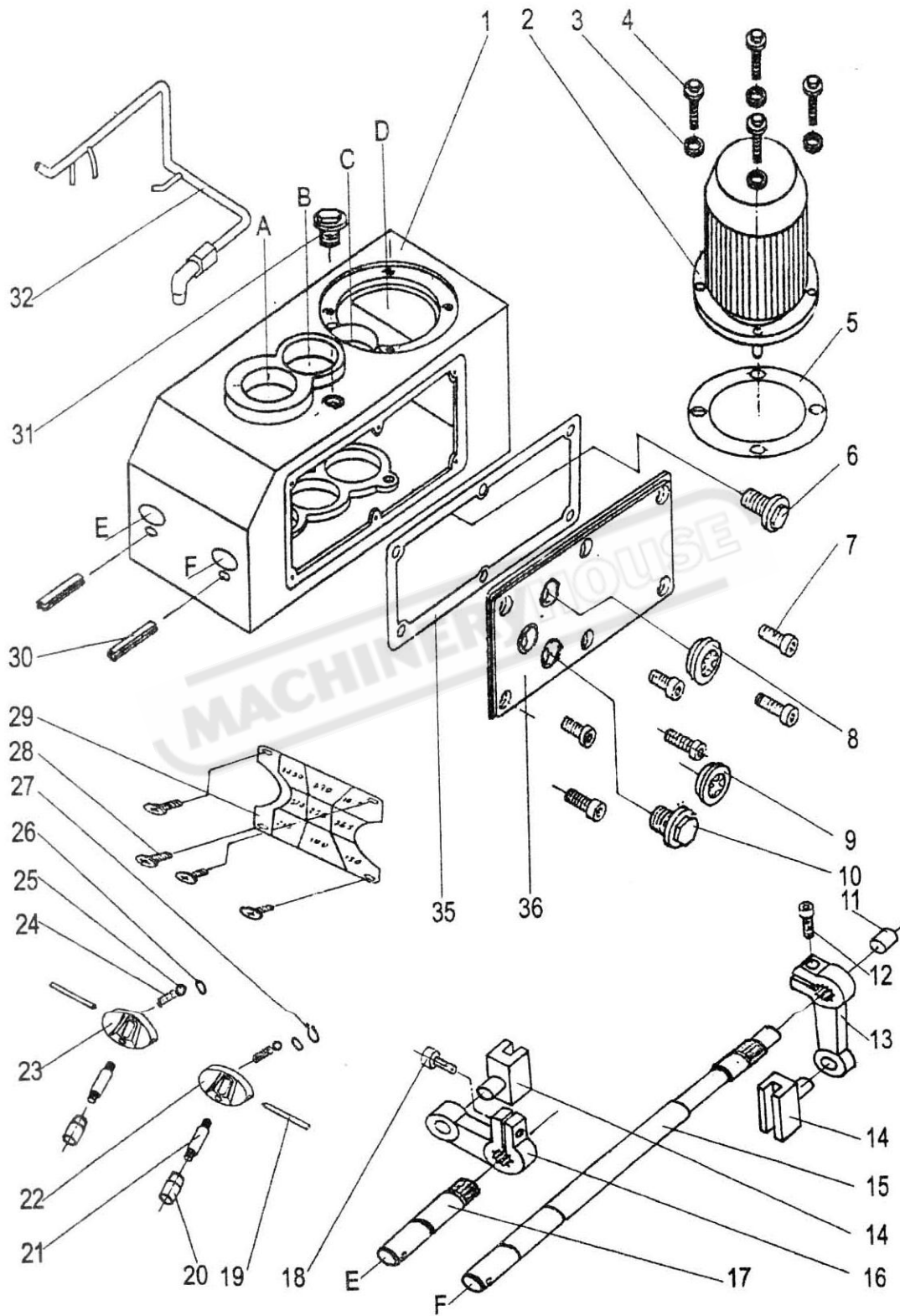


*Drilling Machine Instruction Book***I . Table Support and Coolant**

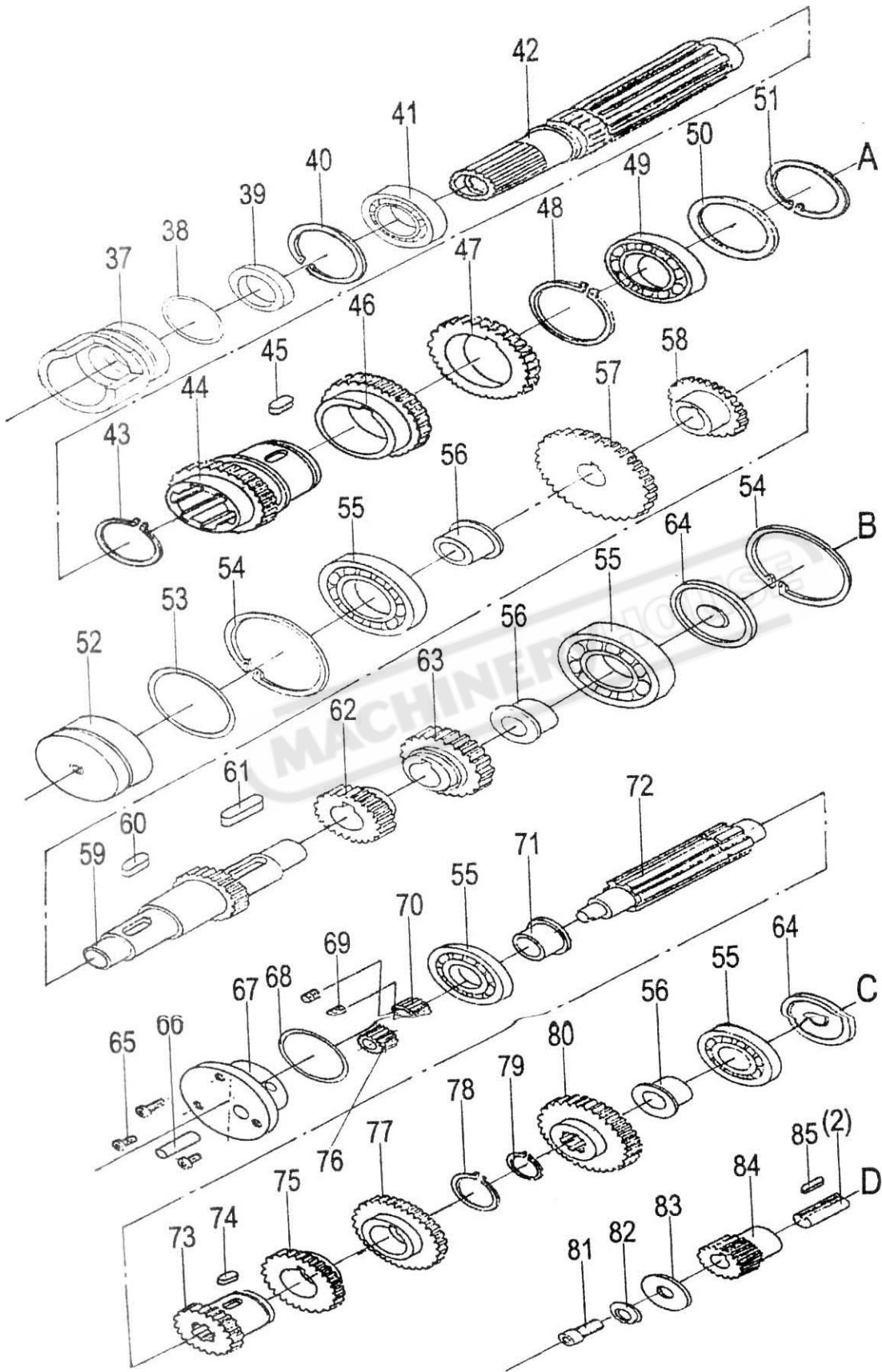
Index No.	Parts No.	Description	Qty.
1	Z5035-01-01	Base	1
2	Z5035-07-06	Plate	1
3	GB70/M6×12	Screw	4
4	AYB-12-GD	Coolant Pump	1
5	GB70/M6×12	Screw	4
6	GB4141.5/M10	Knob	1
7	Z5035-01-04	Handle	1
8	GB79/M10×10	Screw	2
9	Z5035-01-08	Clamp Collar	1
10	Z5035-01-07	Worm	1
11	Z52-2/A-M16×114	Knob	3
12	M16×90-C	Handle Shaft	3
13	GB70/M6×60	Screw	4
14	Z5035-01-12	Plate	1
15	Z5035-01-06	Gear	1
16	GB70/M8×30	Screw	1
17	Z5035-01-10	Rack	1
18	Z5035-01-02	Column	1
19	G38-3A/Z 3/8"	Plug	1
20	GB70/M14×60	Screw	3
21	Z5035-07-04	Cover Plate	1
22	GB70/M8×25	Screw	1
23	G32894/1/2"-3/8"	Reducing Nipple	1
24	Z5035-07-05	Elbow	1
25	φ16×1.5×1300	Flexible Tube	1
26	DN23×1.520.2100.14	Flexible Tube	1
27	ZBJ51002/32	Coupling	4
28	Z5035-07-02	Tee	1
29	GB77/M8×10	Screw	1
30	GB1155/8	Oil Cup	1
31	Z5035-01-05	Gear Shaft	1
32	Z5035-01-09	Table Support	1
33	Z5035-01-11	Table	1
34	GB70/M16×50	Screw	4
35	GB97/16	Washer	3
36	Z5035-01-13	Washer	1

Drilling Machine Instruction Book

II. Speed Box(1/2)



II . Speed Box(2/2)



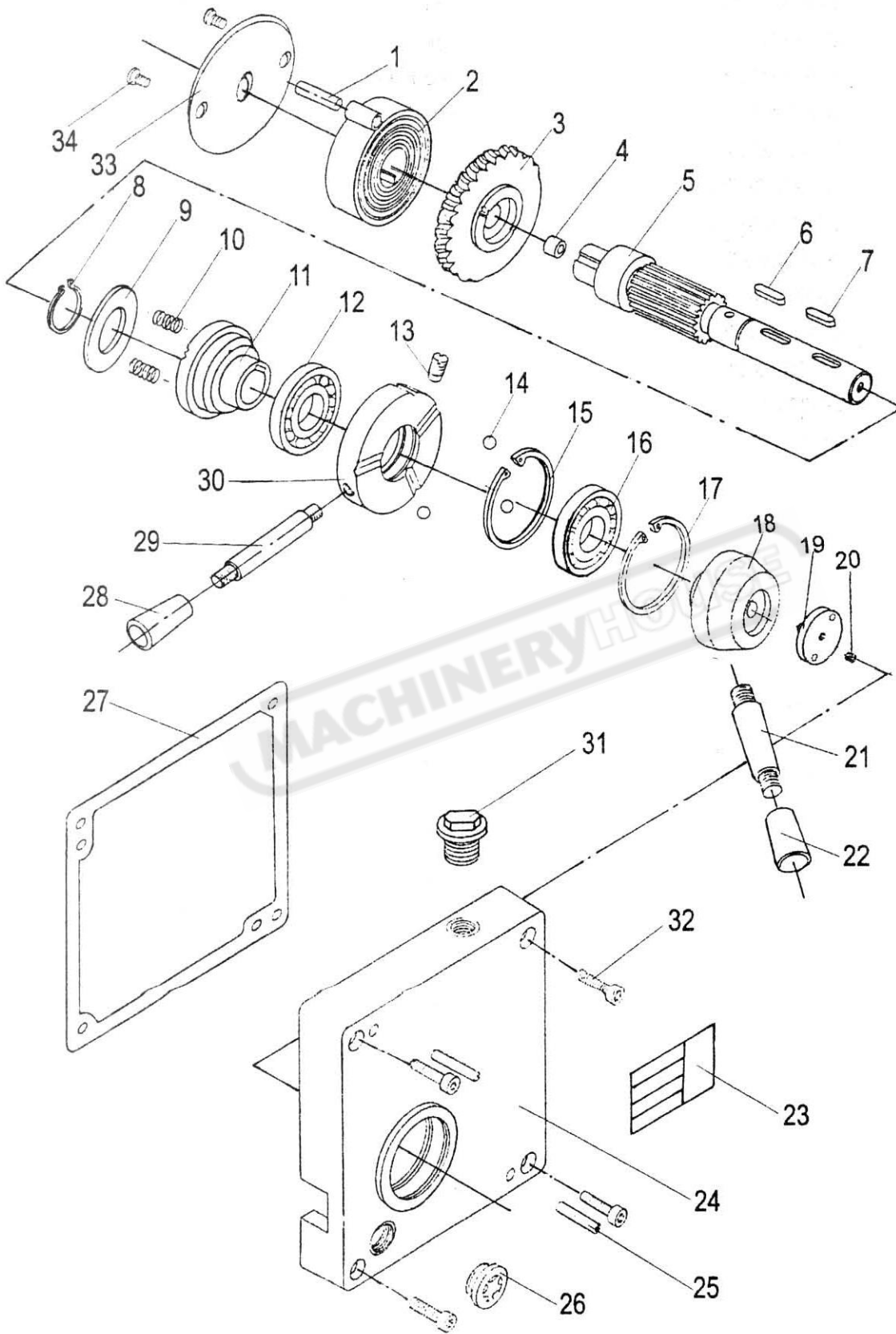
*Drilling Machine Instruction Book***II . Speed Box**

Index No.	Parts No.	Description	Qty.
1	Z5035-02-01	Gear Box	1
2	90L	Driving Motor	1
3	GB97.2/10	Washer	4
4	GB5781/M10×35	Screw	4
5	Z5035-02-28	Gasket	1
6	G38-3A/ Z3/8"	Drain Plug	1
7	GB70/M8×25	Screw	6
8	M27×1.5	Sight Glass	1
9	GB1160.2/B20	Sight Hub	1
10	G38-2A/M27×2	Screw	1
11	Z5035-02-43	Plug	1
12	GB70/M8×25	Screw	1
13	Z5035-02-34	Shift Lever	1
14	Z5035-02-31	Shift Fork	2
15	Z5035-02-32	Shaft	1
16	Z5035-02-30	Shift Lever	1
17	Z5035-02-29	Shaft	1
18	GB70/M8×20	Screw	1
19	Z5035-02-39	Pin	2
20	GB4141.14/BM10×50	Knob	2
21	Z5035-02-42	Handle	2
22	Z5035-02-37	Handle	1
23	Z5035-02-36	Handle	1
24	GB2089/1×9×18-2	Spring	2
25	GB308/10	Steel Ball	2
26	GB3452.1/17×1.8	O-Ring	2
27	GB894.1/20	Retainer Ring	1
28	GB818/M5×12	Screw	4
29	Z5035-02-28	Plate	4
30	GB879/5×12	Pin	2
31	G38-3A/ Z3/8"	Drain Plug	2
32	Z5035-02-40	Lubrication Tube	1
35	Z5035-02-35	Gasket	1
36	Z5035-02-33	Speed Box Lover	1
37	Z5035-02-27	Flange	1
38	GB3452.1/61.5×3.55	O-Ring	1
39	GB9877.1/FB405508	Spacer	1
40	GB893.1/68	Retainer Ring	1

*Drilling Machine Instruction Book*

41	GB279/160108	Bearing	1
42	Z5035-02-02	Shaft	1
43	GB894.1/48	Retainer Ring	1
44	Z5035-02-03	Gear	1
45	GB1567/8×5×32	Key	1
46	Z5035-02-04	Gear	1
47	Z5035-02-05	Gear	1
48	GB894.1/48	Retainer Ring	1
49	GB276/108	Bearing	1
50	Z5035-02-06	Plug	1
51	GB893.1/62	Retainer Ring	1
52	Z5035-02-24	Plug	1
53	GB3452.1/58×2.65	O-Ring	1
54	GB893.1/62	Retainer Ring	2
55	GB276/206	Bearing	4
56	Z5035-02-07	Sleeve	3
57	Z5035-02-25	Gear	1
58	Z5035-02-26	Gear	1
59	Z5035-02-09	Gear Shaft	1
60	GB1567/8×5×32	Key	1
61	GB1567/8×5×40	Key	1
62	Z5035-02-11	Gear	1
63	Z5035-02-10	Gear	1
64	Z5035-02-08	Plug	2
65	GB70/M6×16	Screw	3
66	GB119/B10×40	Pin	1
67	Z5035-02-23	Flange	1
68	GB3452.1/58×2.65	O-Ring	1
69	GB71/M3×6	Screw	3
70	Z5035-02-21	Gear	1
71	Z5035-02-22	Sleeve	1
72	Z5035-02-13	Shaft	1
73	Z5035-02-18	Gear	1
74	GB1567/6×4×36	Key	1
75	Z5035-02-17	Gear	1
76	Z5035-02-20	Gear	1
77	Z5035-02-16	Gear	1
78	GB894.1/35	Retainer Ring	1
79	GB894.1/25	Retainer Ring	1
80	Z5035-02-14	Gear	1
81	GB70/M8×20	Screw	1
82	GB93/8	Washer	1
83	GB96/8	Washer	1
84	Z5035-02-15	Gear Shaft	1
85	GB1567/C6×4×28	Key	1

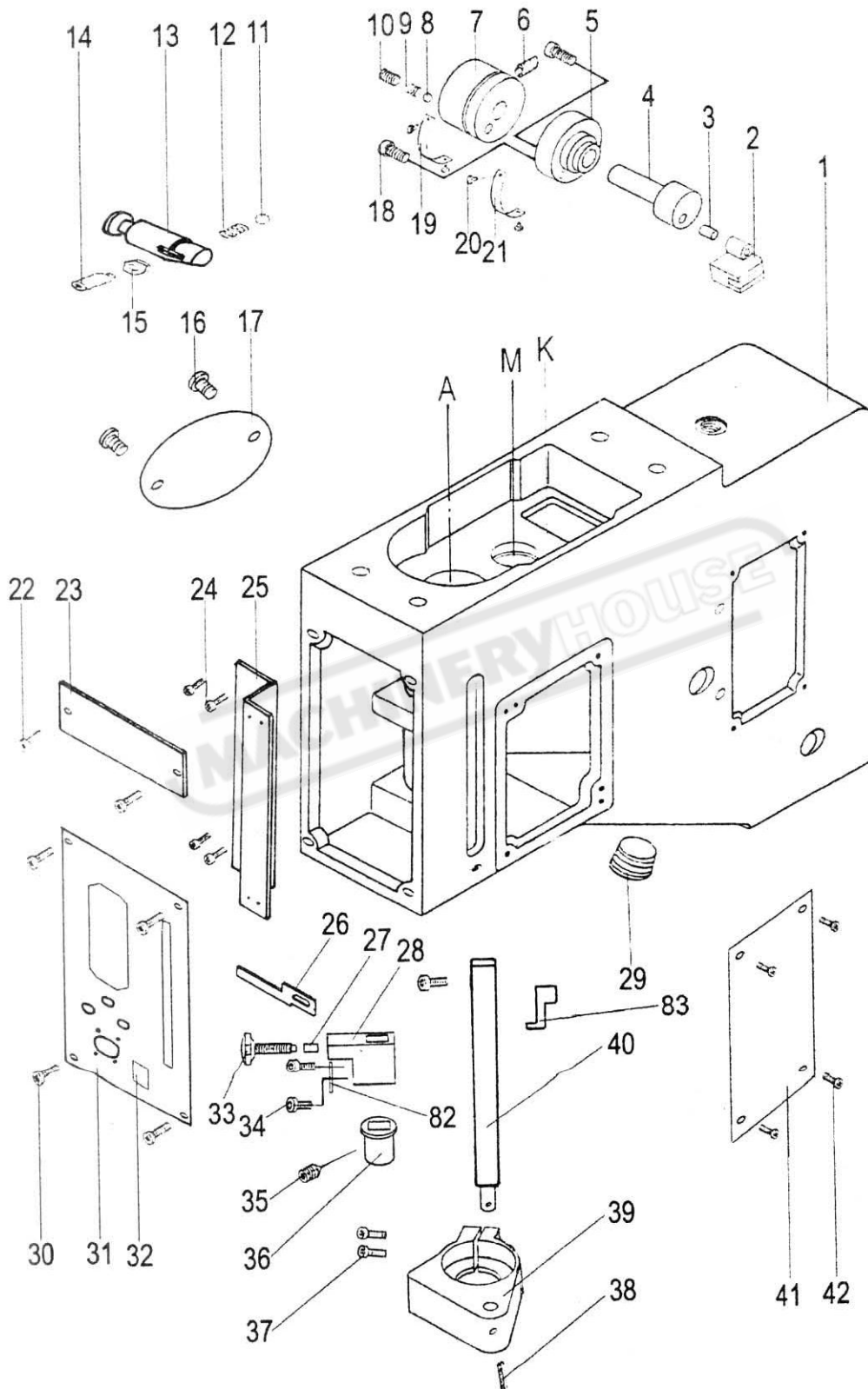
### III. Feed Box



*Drilling Machine Instruction Book***III. Feed Box**

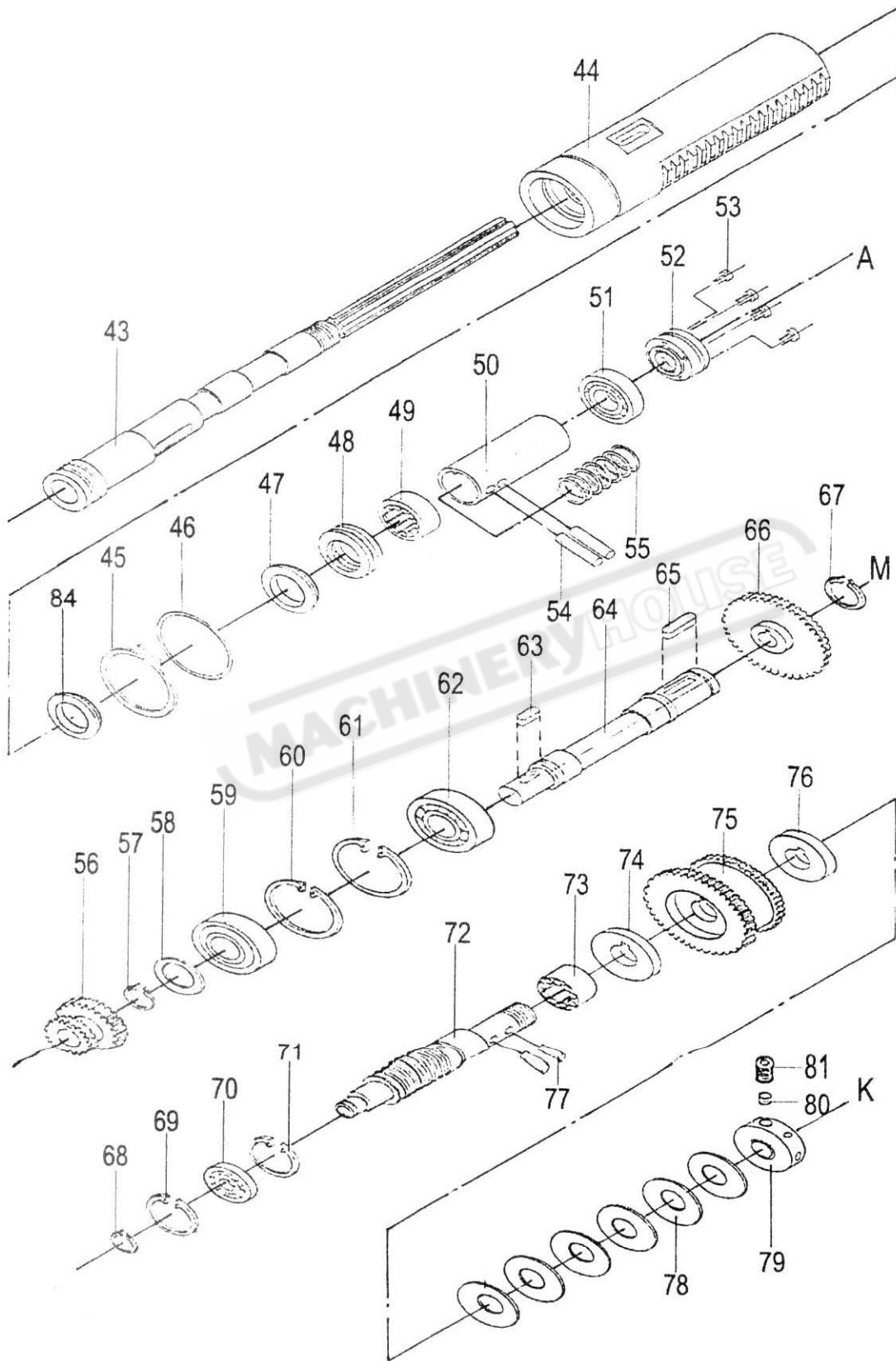
Index No.	Parts No.	Description	Qty.
1	GB879/6×45	Pin	1
2	Z5035-03-35	Spring	1
3	Z5035-03-25	Worm Gear	1
4	GB1155/8	Oil Cup	1
5	Z5035-03-24	Gear Shaft	1
6	GB1096/8×25	Key	1
7	GB1096/8×25	Key	1
8	GB894.1/24	Retainer Ring	1
9	Z5035-03-54	Washer	1
10	GB2089/1×7×32	Spring	2
11	Z5035-03-26	Sleeve	1
12	GB276/16007	Bearing	1
13	Z5035-03-28	Screw	1
14	GB308/8	Ball	3
15	GB893.1/62	Retainer Ring	1
16	GB276/16007	Bearing	1
17	GB893.1/62	Retainer Ring	1
18	Z5035-03-31	Handle	1
19	RUN6241-105016	Clamping screw	1
20	GB78/M8×12	Screw	1
21	Z5035-03-48	Handle Shaft	3
22	Z5035-03-50	Handle	3
23	Z5035-03-47	Fill Oil Plate	1
24	Z5035-03-02	Feed Box Cover	1
25	GB879/8×45	Pin	2
26	M27×1.5	Slight Glass	1
27	Z5035-03-27	Gasket	1
28	Z5035-03-51	Handle	1
29	Z5035-03-49	Handle Shaft	1
30	Z5035-03-29	Turn Style Hub	1
31	CL6132-04-06	Fill Oil Plug	1
32	GB70/M8×40	Screw	4
33	Z5035-03-36	Plate	1
34	GB823/M6×12	Screw	2

### IV. Headstock(1/2)



Drilling Machine Instruction Book

IV. Headstock(2/2)



*Drilling Machine Instruction Book***IV. Headstock**

Index No.	Parts No.	Description	Qty.
1	Z5035-03-01	Headstock	1
2	Z5035-03-38	Shift Fork	1
3	GB119/10×20	Pin	1
4	Z5035-03-44	Shift Lever	1
5	Z5035-03-39	Handle	1
6	GB79/M8×25	Screw	1
7	Z5035-03-45	Handle	1
8	GB308/6	Ball	1
9	GB2089/0.8×5×16	Spring	1
10	GB77/M8×16	Screw	1
11	GB308/6	Ball	1
12	GB2089/0.8×7×12	Spring	1
13	Z5035-03-41	Shaft	1
14	GB79/M8×25	Screw	1
15	GB6172/M8	Nut	1
16	GB823/M6×12	Screw	2
17	Z5035-03-43	Plate	1
18	GB70/M6×20	Pin	2
19	Z5035-03-46	Plate	1
20	GB827/2×4	Pin	4
21	C0632-08405b	Index Ring	1
22	GB823/M6×12	Screw	2
23	Z5035-03-18	Plate	1
24	GB70/M4×12	Screw	4
25	Z5035-03-34	Plate	1
26	Z5035-03-33	Slate Plate	1
27	Z5035-03-32	Pin	1
28	Z5035-03-11	Bracket	1
29	GB38-3A/ Z3/8"	Plug	1
30	GB823/M6×12	Screw	4
31	Z5035-04-01	Cover Plate	1
32	Z5035-03-10	Plate	1
33	JB3717.22/M10×40	Handle	1
34	GB70/M5×8	Screw	2
35	GB78/M6×16	Screw	1
36	Z5035-03-07	Collar	1
37	GB70/M8×40	Screw	2
38	GB879/3×25	Pin	1
39	Z5035-03-04	Holder	1
40	Z5035-03-08	Shaft	1
41	Z5035-04-05	Cover Plate	1
42	GB823/M6×12	Screw	4

*Drilling Machine Instruction Book*

43	Z5035-03-06	Spindle	1
44	Z5035-03-09	Quill	1
45	GB894.1/75	Retainer Ring	1
46	GB1235/85×5.7	O-Ring	1
47	Z5035-03-05	Washer	1
48	GB301/D8108	Bearing	1
49	GB/T5801/RUA49/32	Bearing	1
50	Z5035-03-13	Small Quill	1
51	GB279/180106G	Bearing	1
52	Z5035-03-17	Clamp Nut	1
53	GB70/M4×14	Screw	4
54	GB119/12×46	Pin	2
55	Z5035-03-12	Spring	1
56	Z5035-03-14	Gear	1
57	GB894.1/25	Retainer Ring	1
58	Z5035-03-16	Washer	1
59	GB279/180205	Bearing	1
60	GB893.1/52	Retainer Ring	1
61	GB893.1/52	Retainer Ring	1
62	GB279/180205	Bearing	1
63	GB1096/A6×18	Key	1
64	Z5035-03-15	Shaft	1
65	GB1096/A6×12	Key	1
66	Z5035-03-19	Gear	1
67	GB894.1/25	Retainer Ring	1
68	GB894.1/35	Retainer Ring	1
69	GB893.1/32	Retainer Ring	1
70	GB279/180102	Bearing	1
71	GB893.1/32	Retainer Ring	1
72	Z5035-03-03	worm	1
73	GB290/46941/25	Bearing	1
74	Z5035-03-23	Collar	1
75	Z5035-03-22	Gear	1
76	Z5035-03-23	Collar	1
77	GB119/6×8	Pin	2
78	GB1972/45×24×1.75	Spring	6
79	Z5035-03-21	Clamp Nut	1
80	Z5035-03-20	Shaft	1
81	GB77/M8×8	Screw	1
82	Z5035-03-57	Plate	1
83	Z5035-03-56	Plate	1
84	Z5035-03-58	Washer	1